



C - PS



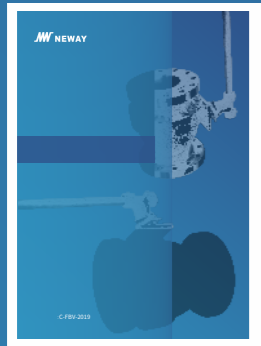
C - GGC



C - FSV



C - TMBV



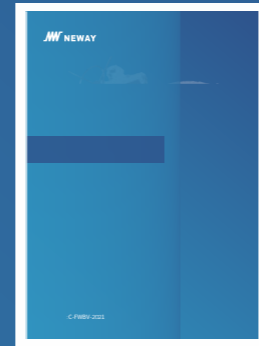
C - FBV



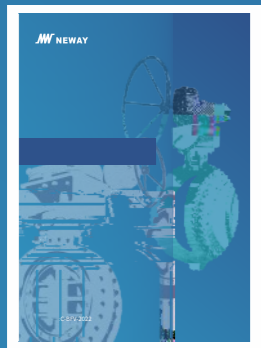
C - CBV



C - MMBV



C - FWBV



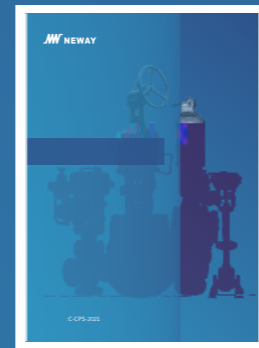
C - BFV



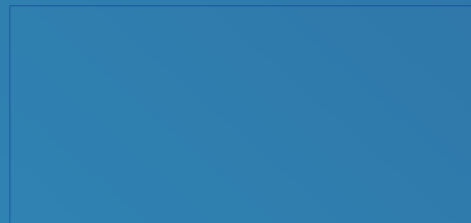
C - DOV



C - TOV



C - CPS





603699)

1 API 6A

2家 于2022年建成投 了 威流体控制工厂,3家

1家 1个技

Ansys, Fe-safe, CF-design, Siemens PLM和NX等)

SAP系

80家海外代理及分

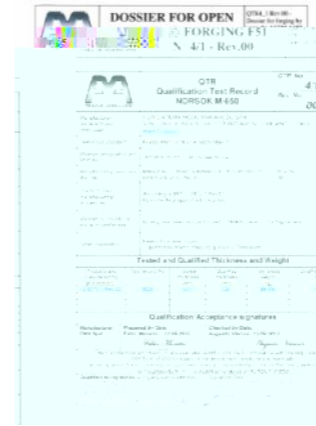
ISO API

ISO 9001 API6A API6D API600

CE - PED UK CA

TA-Luft API624 ISO15848

API607 API6FA



NORSOK



ISO 9001



CE/PED



API 6D



TA Luft



ABS



AD2000

1

2-3

4-7

8-9

10-11

12-13

12-13 &

14



①

| | | | | | | | | | | | | |
|----|-----|-----|-----|-------|-----|-------|-----|-----|-----|-----|-----|------|
| in | 1/2 | 3/4 | 1 | 1-1/2 | 2 | 2-1/2 | 3 | 4 | 6 | 8 | 10 | 12 |
| mm | 15 | 20 | 25 | 40 | 50 | 65 | 80 | 100 | 150 | 200 | 250 | 300 |
| in | 14 | 16 | 18 | 20 | 24 | 26 | 28 | 30 | 32 | 34 | 36 | 40 |
| mm | 350 | 400 | 450 | 500 | 600 | 650 | 700 | 750 | 800 | 850 | 900 | 1000 |

| | | | | | | | | | | | | | |
|----|---------|---------|---------|---------|---------|---------|---------|---------|---------|----------|----------|-----------|-----------|
| in | 2*1-1/2 | 2-1/2*2 | 3*2 | 4*3 | 5*3 | 6*4 | 8*6 | 10*8 | 12*10 | 14*10 | 16*12 | 18*14 | 20*16 |
| mm | 50*40 | 65*50 | 80*50 | 100*80 | 125*80 | 150*100 | 200*150 | 250*200 | 300*250 | 350*250 | 400*300 | 450*350 | 500*400 |
| in | 22*18 | 24*20 | 26*20 | 28*24 | 30*24 | 32*26 | 34*28 | 36*30 | 38*32 | 40*34 | 42*36 | 46*40 | 48*42 |
| mm | 550*450 | 600*500 | 650*500 | 700*600 | 750*600 | 800*650 | 850*700 | 900*750 | 950*800 | 1000*850 | 1050*900 | 1150*1000 | 1200*1000 |

② & ③

| | | | |
|---|---|-----|-------|
| L | | | (Mpa) |
| | 1 | 150 | 2 |
| | 3 | 300 | 5 |
| | 4 | 400 | 6.8 |
| | 6 | 600 | 10 |

④

| | | | | | |
|---|-------|---|--|----|----------|
| R | | B | | N | NPT螺 |
| J | RTJ法兰 | S | | SN | ()/ () |

⑤

| | | | |
|---|--|----|--|
| L | | BS | |
| G | | | |
| M | | | |
| P | | | |

⑥

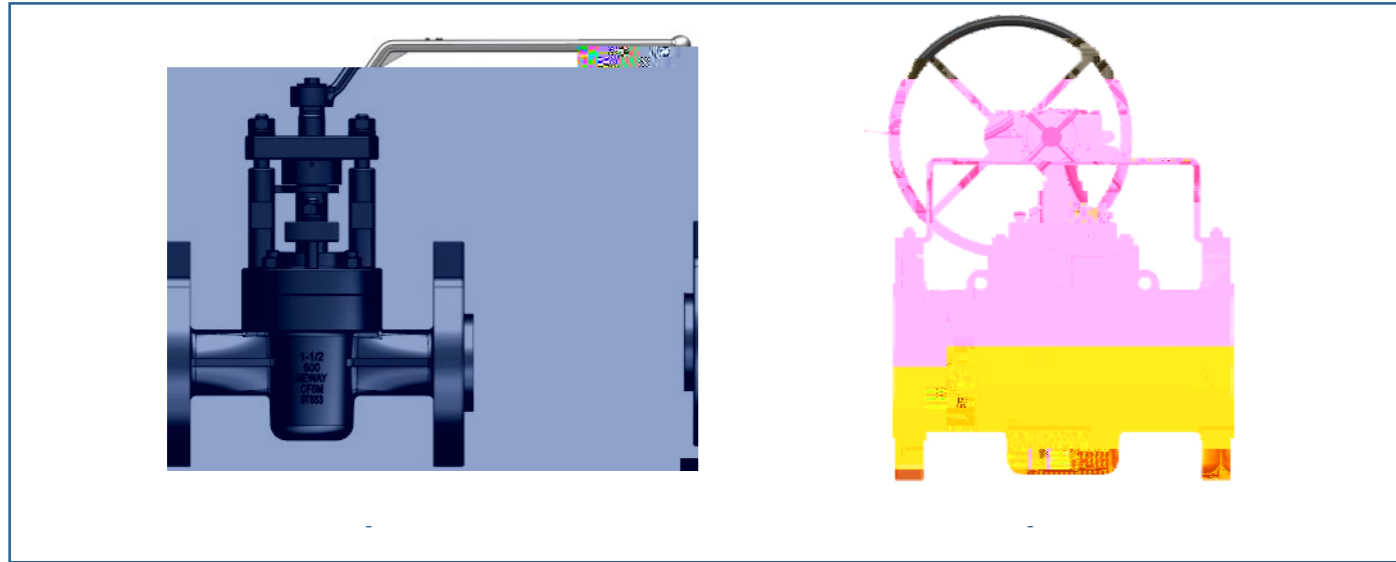
| | | | | | |
|-------|--------|-------|---------|------|------|
| CZ100 | M35-1 | M35-2 | M30H | M25S | M30C |
| CY40 | CW12MW | CW6M | N12MW | N7M | N3M |
| CW2M | CW6MC | CX2MW | CU5MCuC | CX2M | |

⑦

| | | | | | |
|---|-------|----|------------|----|----------|
| 1 | PTFE | Z1 | CF8 | Z1 | CF8 |
| 2 | RPTFE | Z2 | CF8M | Z2 | CF8M |
| | | Z3 | CF3 | Z3 | CF3 |
| | | Z4 | CF3M | Z4 | CF3M |
| | | Z5 | 4A | Z5 | 4A |
| | | Z6 | CW6MC | Z6 | CW6MC |
| | | Z7 | CT15C | Z7 | CT15C |
| | | 14 | 17-4PH | 56 | H.B3 |
| | | 21 | F321 | 62 | H.C276 |
| | | 22 | F304 | 63 | ALLOY 20 |
| | | 24 | F316LN-MOD | 64 | H.B2 |
| | | 25 | F316Ti | 65 | B381 F5 |
| | | 26 | F316/F316L | 69 | 904L |
| | | 30 | F304/F304L | | |
| | | 2X | FXM-19 | | |
| | | 40 | F51-NC | | |
| | | 56 | H.B3 | | |
| | | 62 | H.C276 | | |
| | | 63 | ALLOY 20 | | |
| | | 64 | H.B2 | | |
| | | 65 | B381 F5 | | |
| | | 69 | 904L | | |

NPS 1/2~24, Class150~600,

360°唇



ASME B16.34要求, 并在此基

NEWAY可以提供多

PTFE、RPTFE, 体盖密封如O-Ring密封、

Lip Seal密封、

O-Ring密封、Lip Seal密封、低逸散填料

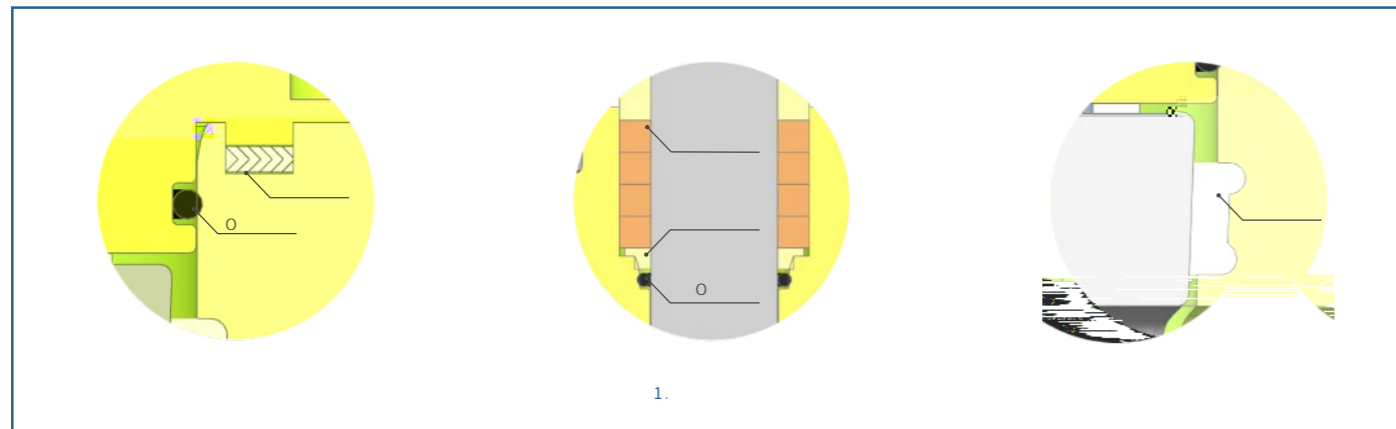
+O-Ring

ISO 15848

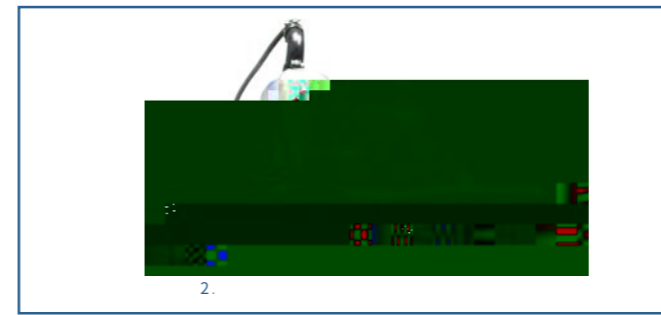
;

+Lip seal密封, 也可根据客

1



1.



2.

0.02mm

Ra0.2μm以下。三坐

2

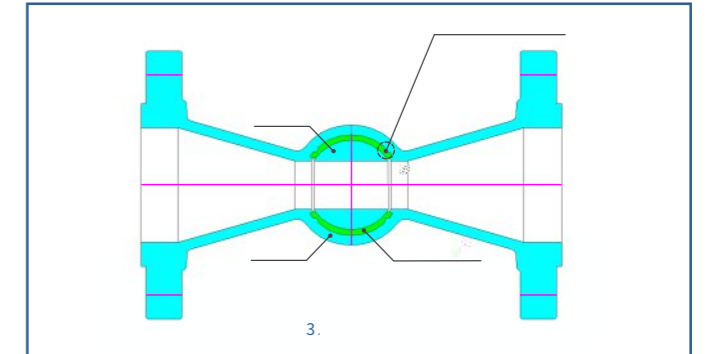
NEWAY旋塞

()

PTFE

PTFE;密封材料

3



3.

360°

360°

360°密封凸起在

3

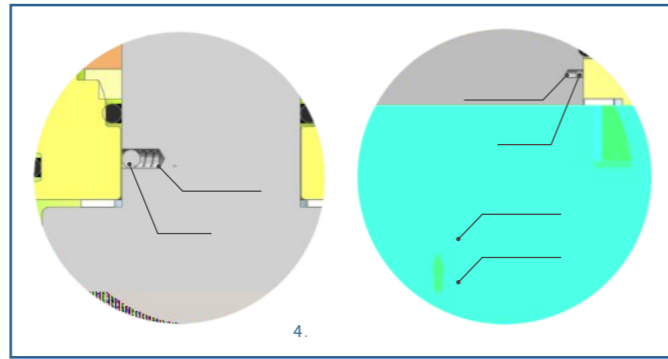


4.

API 6FA

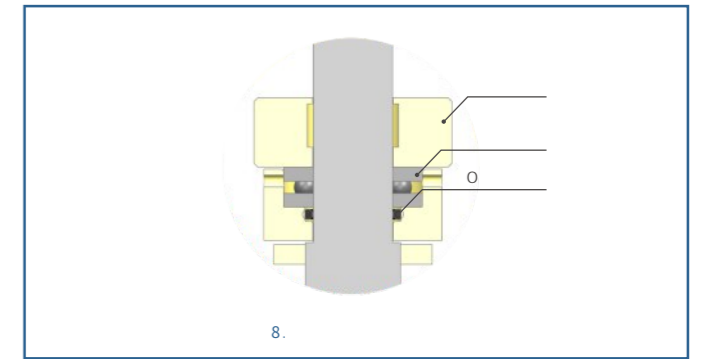
1

4

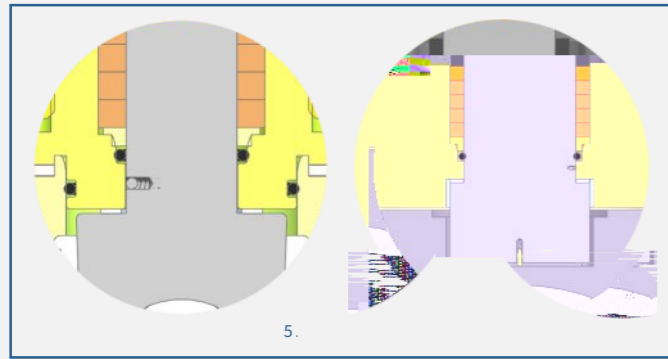


4.

8

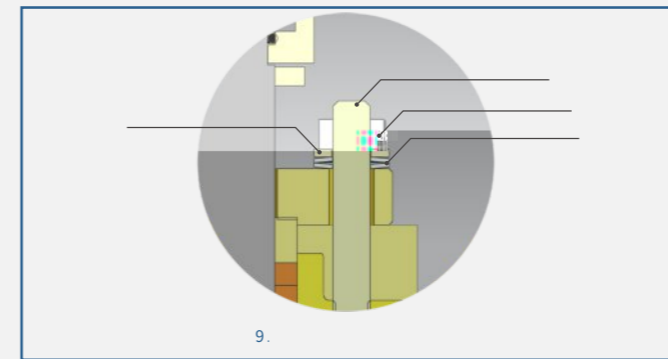


8.



5.

T形 5

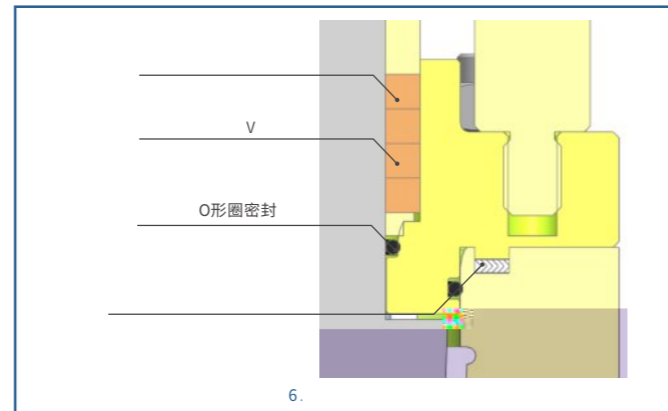


9.

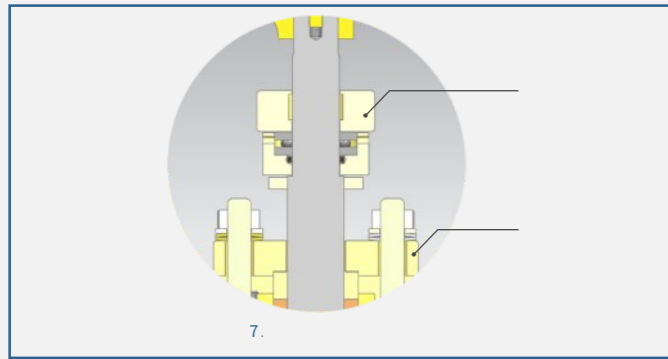
8

PTFE 常 V型 V型填料
 具有非常好的耐 260°C
 填料具有 API622
 B
 6

NEWAY使用的低泄漏
 ISO15848

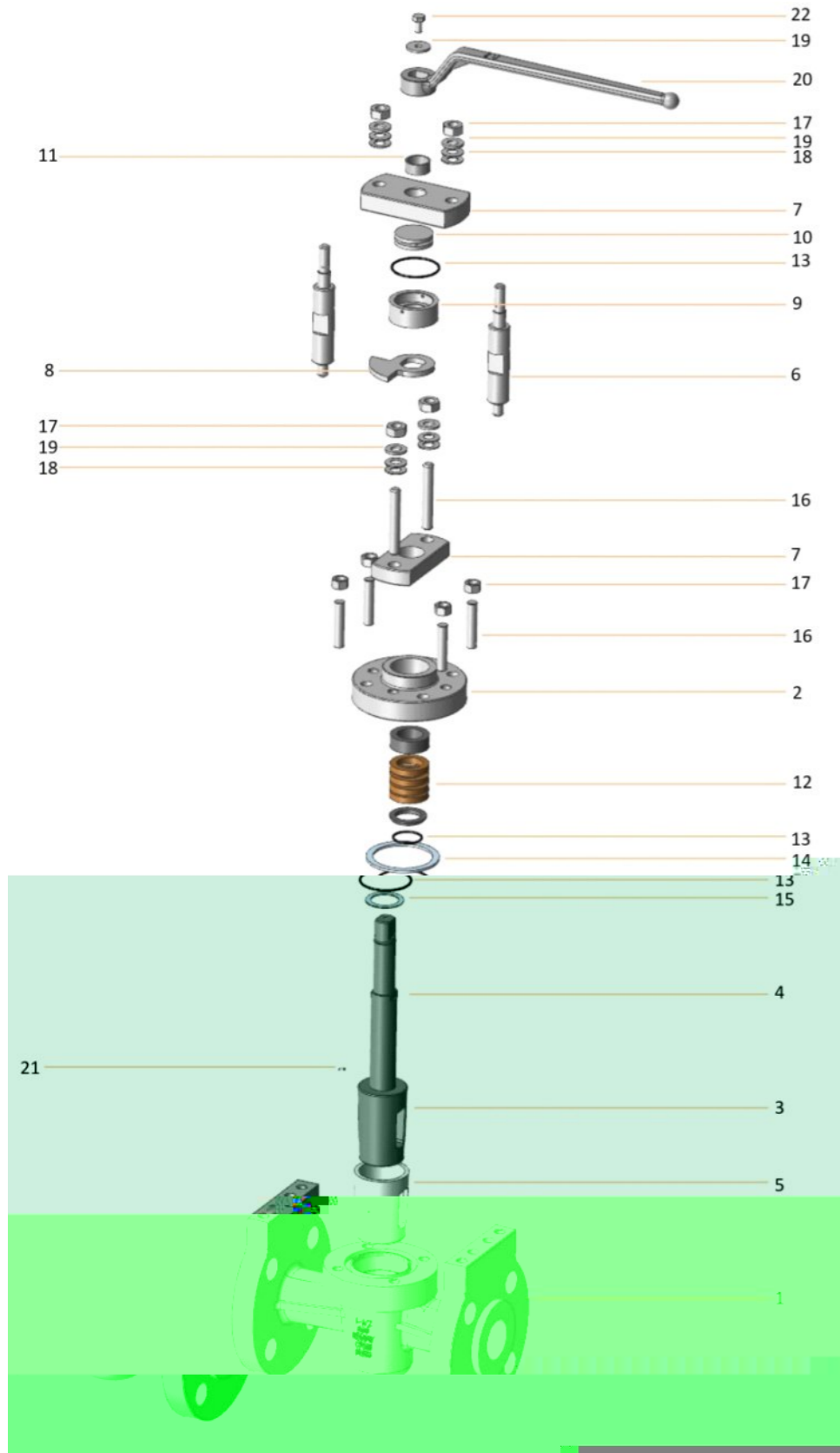


6.

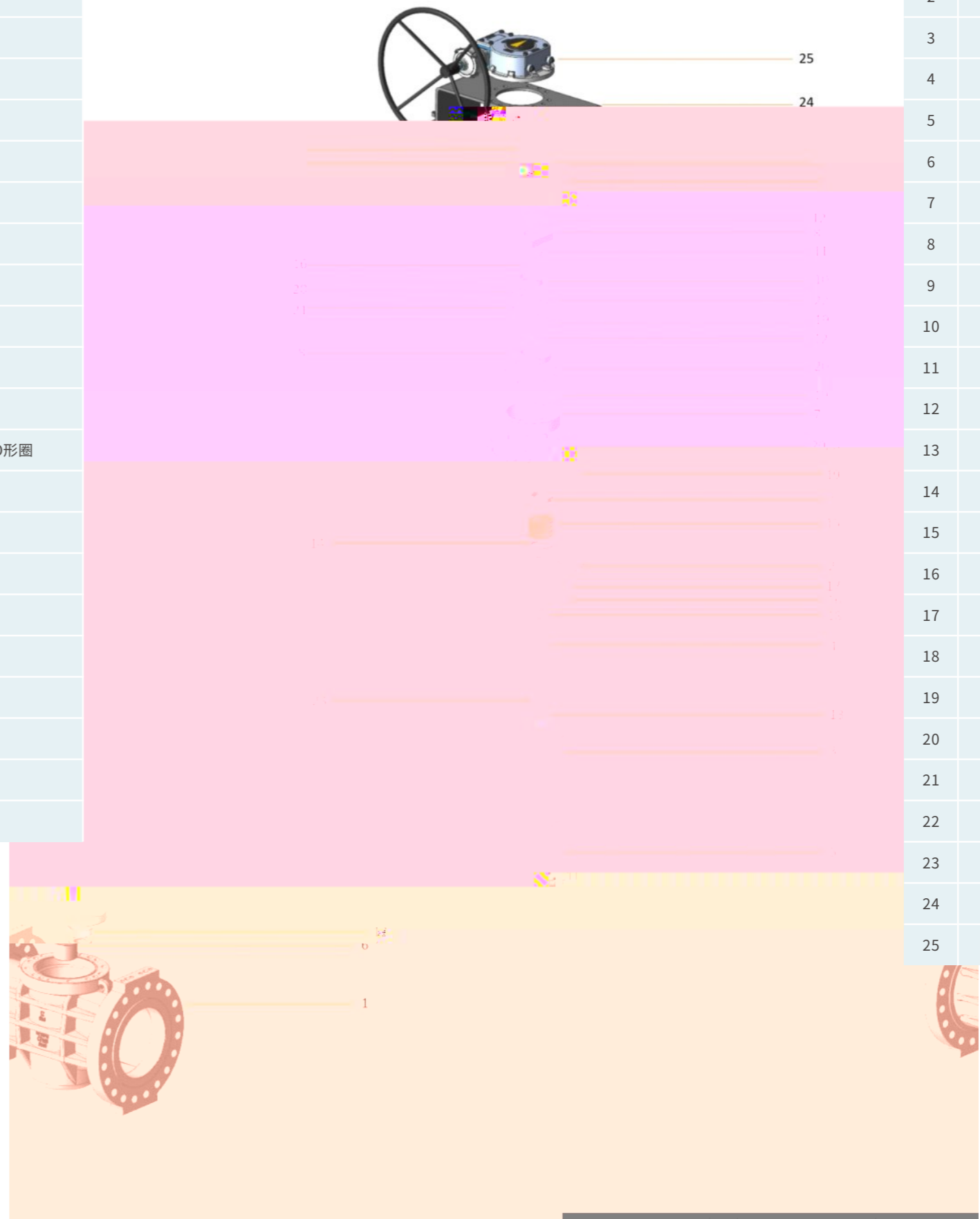


7.

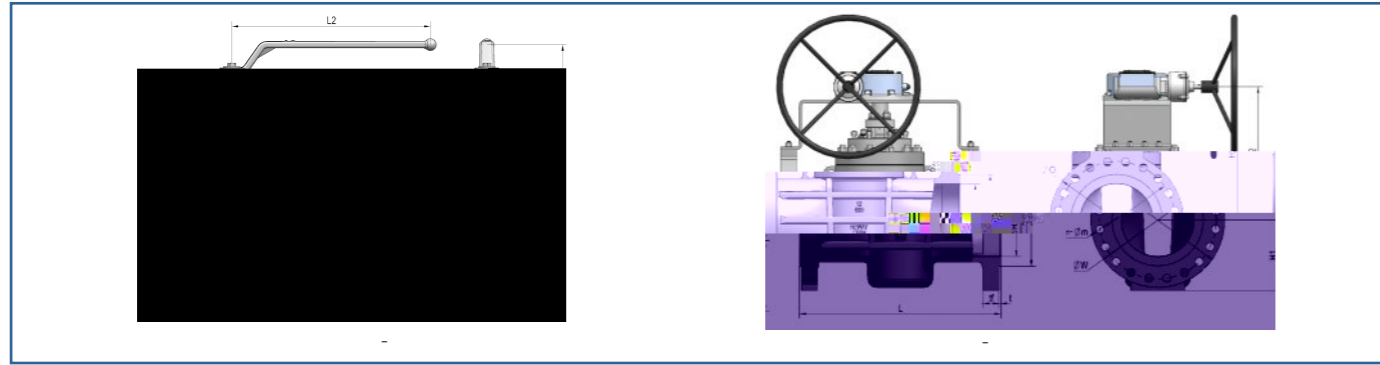
7



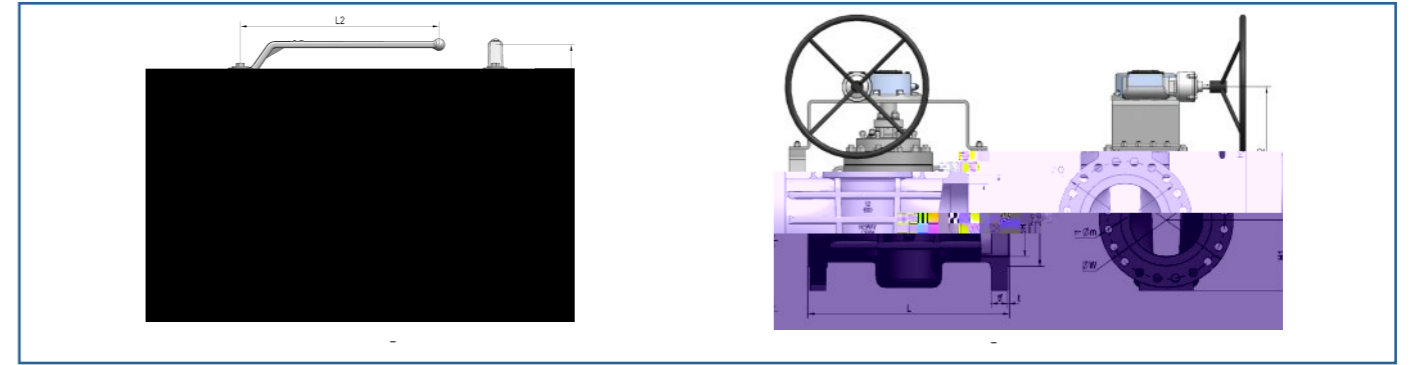
| | |
|----|-----|
| 1 | |
| 2 | |
| 3 | |
| 4 | |
| 5 | |
| 6 | |
| 7 | |
| 8 | |
| 9 | |
| 10 | |
| 11 | |
| 12 | |
| 13 | O形圈 |
| 14 | |
| 15 | |
| 16 | |
| 17 | |
| 18 | |
| 19 | |
| 20 | |
| 21 | |
| 22 | |



| | |
|----|---|
| 1 | |
| 2 | |
| 3 | |
| 4 | |
| 5 | |
| 6 | |
| 7 | |
| 8 | |
| 9 | |
| 10 | |
| 11 | |
| 12 | |
| 13 | |
| 14 | |
| 15 | |
| 16 | O |
| 17 | |
| 18 | |
| 19 | |
| 20 | |
| 21 | |
| 22 | |
| 23 | |
| 24 | |
| 25 | |



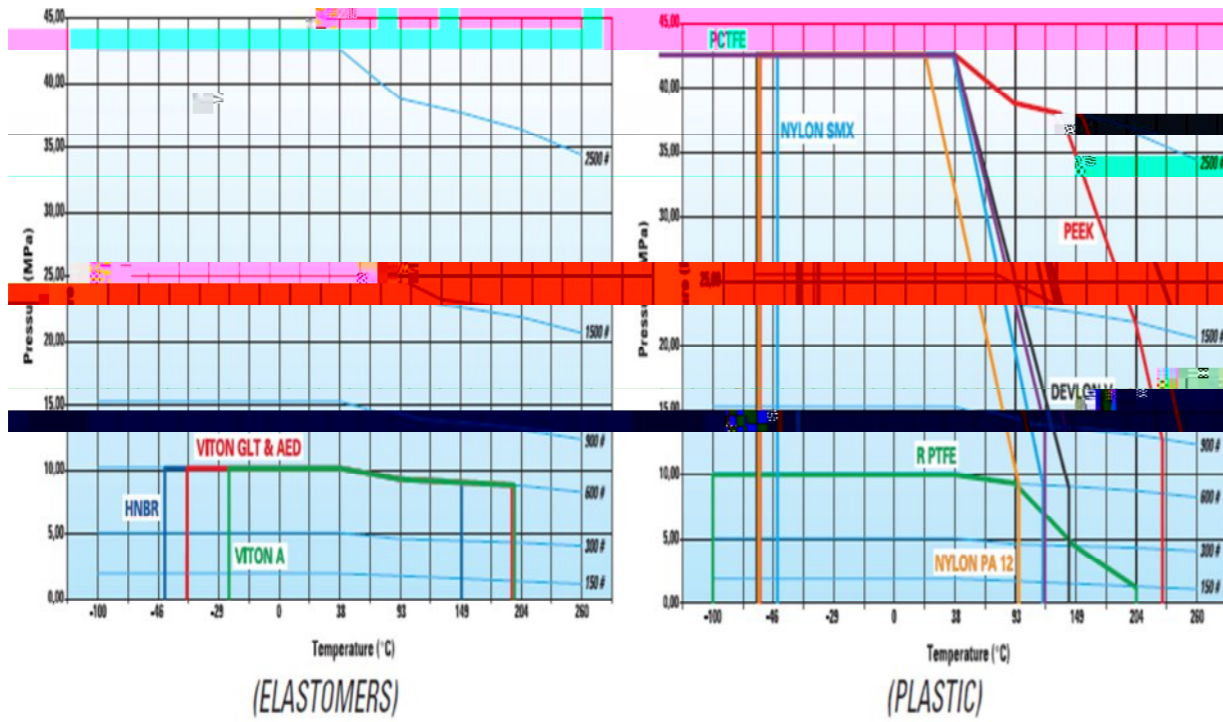
| Flanged End / Class 150 (PN20) | | | | | | | | |
|--------------------------------|-----|------|-----|------|-----|-----|-------|------|
| NPS | DN | L | øO | H1 | H2 | L2 | | |
| 1/2 | 15 | 108 | 90 | 45 | 100 | 200 | 1.46 | N/A |
| 3/4 | 20 | 117 | 100 | 50 | 130 | 200 | 1.72 | N/A |
| 1 | 25 | 127 | 110 | 55 | 160 | 200 | 3.39 | N/A |
| 1-1/4 | 32 | 140 | 115 | 57.5 | 190 | 250 | 4.3 | N/A |
| 1-1/2 | 40 | 165 | 125 | 62.5 | 220 | 250 | 6.78 | N/A |
| 2 | 50 | 178 | 150 | 75 | 250 | 300 | 10.43 | N/A |
| 2-1/2 | 65 | 190 | 180 | 90 | 280 | 350 | 16.17 | N/A |
| 3 | 80 | 203 | 190 | 95 | 310 | 350 | 22 | N/A |
| 4 | 100 | 229 | 230 | 115 | 340 | N/A | N/A | 28 |
| 6 | 150 | 267 | 280 | 145 | 370 | N/A | N/A | 50 |
| 8 | 200 | 292 | 345 | 175 | 460 | N/A | N/A | 91 |
| 10 | 250 | 330 | 405 | 235 | 525 | N/A | N/A | 135 |
| 12 | 300 | 356 | 485 | 270 | 575 | N/A | N/A | 185 |
| 14 | 350 | 686 | 535 | 300 | 625 | N/A | N/A | 224 |
| 16 | 400 | 762 | 595 | 350 | 685 | N/A | N/A | 482 |
| 18 | 450 | 864 | 635 | 380 | 755 | N/A | N/A | 525 |
| 20 | 500 | 914 | 700 | 410 | 835 | N/A | N/A | 625 |
| 24 | 600 | 1067 | 815 | 500 | 925 | N/A | N/A | 1305 |



| Flanged End / Class 600 (PN100) | | | | | | | | |
|---------------------------------|-----|-----|-----|-------|-----|-----|------|-----|
| NPS | DN | L | øO | H1 | H2 | L2 | | |
| 1/2 | 15 | 165 | 95 | 47.5 | 125 | 250 | 6.3 | N/A |
| 3/4 | 20 | 190 | 115 | 57.5 | 150 | 250 | 8.7 | N/A |
| 1 | 25 | 216 | 125 | 62.5 | 175 | 250 | 10.5 | N/A |
| 1-1/4 | 32 | 229 | 135 | 67.5 | 200 | 350 | 14 | N/A |
| 1-1/2 | 40 | 241 | 155 | 77.5 | 220 | 350 | 16.6 | N/A |
| 2 | 50 | 292 | 165 | 82.5 | 255 | 550 | 22.1 | N/A |
| 2-1/2 | 65 | 330 | 190 | 95 | 300 | 600 | 29.2 | N/A |
| 3 | 80 | 356 | 210 | 105 | 325 | 650 | 50.8 | N/A |
| 4 | 100 | 432 | 275 | 137.5 | 350 | N/A | N/A | 78 |
| 6 | 150 | 559 | 355 | 180 | 400 | N/A | N/A | 112 |
| 8 | 200 | 660 | 420 | 215 | 480 | N/A | N/A | 189 |
| 10 | 250 | 787 | 510 | 255 | 535 | N/A | N/A | 305 |
| 12 | 300 | 838 | 560 | 280 | 585 | N/A | N/A | 396 |

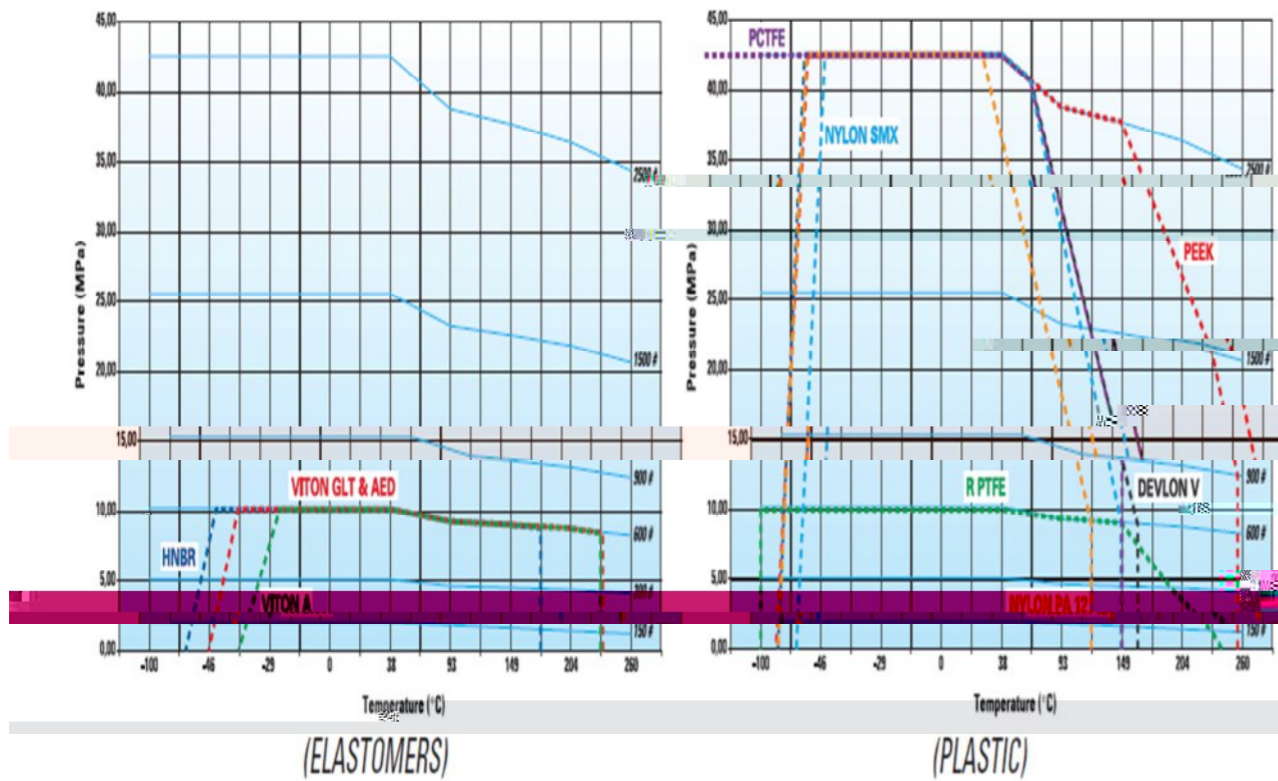
| Flanged End / Class 300 (PN50) | | | | | | | | |
|--------------------------------|-----|-----|-----|------|-----|-----|-------|------|
| NPS | DN | L | øO | H1 | H2 | L2 | | |
| 1/2 | 15 | 140 | 95 | 47.5 | 100 | 200 | 3.13 | N/A |
| 3/4 | 20 | 152 | 115 | 57.5 | 130 | 250 | 4.69 | N/A |
| 1 | 25 | 165 | 125 | 62.5 | 160 | 250 | 5.74 | N/A |
| 1-1/4 | 32 | 178 | 135 | 67.5 | 190 | 300 | 7.2 | N/A |
| 1-1/2 | 40 | 190 | 155 | 77.5 | 220 | 300 | 10.95 | N/A |
| 2 | 50 | 216 | 165 | 82.5 | 250 | 350 | 14.61 | N/A |
| 2-1/2 | 65 | 241 | 190 | 95 | 280 | 400 | 19.8 | N/A |
| 3 | 80 | 282 | 210 | 105 | 310 | 450 | 32 | N/A |
| 4 | 100 | 305 | 255 | 127 | 340 | N/A | N/A | 41.7 |
| 6 | 150 | 403 | 320 | 159 | 400 | N/A | N/A | 86 |
| 8 | 200 | 419 | 380 | 195 | 465 | N/A | N/A | 140 |
| 10 | 250 | 457 | 445 | 225 | 530 | N/A | N/A | 206 |
| 12 | 300 | 502 | 520 | 275 | 575 | N/A | N/A | 282 |

SEAT INSERTS – OPERATING CONDITION*



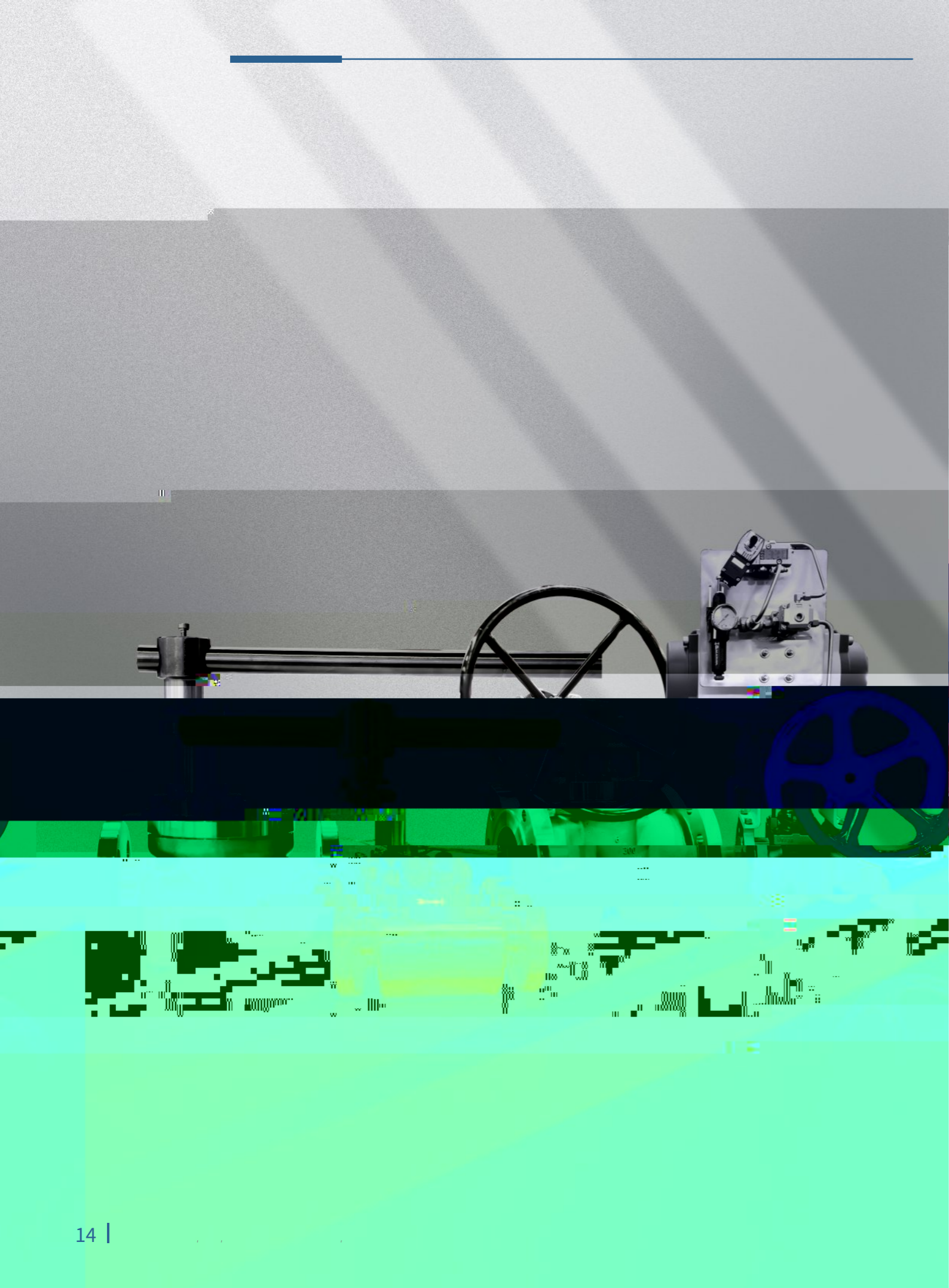
| NPS | 150LB | 300LB | 600LB |
|-------|-------|-------|-------|
| 1/2 | 41 | 55 | 115 |
| 3/4 | 52 | 75 | 145 |
| 1 | 60 | 95 | 175 |
| 1-1/4 | 73 | 115 | 200 |
| 1-1/2 | 80 | 135 | 235 |
| 2 | 88 | 155 | 263 |
| 2-1/2 | 99 | 176 | 302 |
| 3 | 108 | 196 | 342 |
| 4 | 272 | 482 | 826 |
| 6 | 565 | 972 | 1633 |
| 8 | 1829 | 2887 | 4603 |
| 10 | 1949 | 2932 | 5479 |
| 12 | 2807 | 4682 | 7735 |
| 14 | 4361 | N/A | N/A |
| 16 | 5429 | N/A | N/A |
| 18 | 8228 | N/A | N/A |
| 20 | 10820 | N/A | N/A |
| 22 | 12479 | N/A | N/A |
| 24 | 17482 | N/A | N/A |

SEAT INSERTS – STATIC/SHORT PERIOD



Cv

| NPS | 150LB | 300LB | 600LB |
|-------|---------|--------|--------|
| 1/2 | 1.19 | 1.19 | 1.19 |
| 3/4 | 2.54 | 2.54 | 2.54 |
| 1 | 4.40 | 4.40 | 4.40 |
| 1-1/4 | 7.20 | 7.20 | 7.20 |
| 1-1/2 | 10.15 | 10.15 | 10.15 |
| 2 | 16.88 | 16.88 | 16.88 |
| 2-1/2 | 27.03 | 27.03 | 27.03 |
| 3 | 38.50 | 38.50 | 38.50 |
| 4 | 70.31 | 70.31 | 70.31 |
| 6 | 158.19 | 158.19 | 158.19 |
| 8 | 284.04 | 284.04 | 284.04 |
| 10 | 446.47 | 446.47 | 446.47 |
| 12 | 645.47 | 645.47 | 645.47 |
| 14 | 784.30 | N/A | N/A |
| 16 | 1042.11 | N/A | N/A |
| 18 | 1336.48 | N/A | N/A |
| 20 | 1667.43 | N/A | N/A |
| 22 | 2034.96 | N/A | N/A |
| 24 | 2439.05 | N/A | N/A |



2014

2,295
6,885



2006 2013

230,000
140,061



2008
2015

112,500
98,000



2008

40,000
20,000



2017

3,000 / /
30,000



2020

30,000平方米
19,000平方米(一)
7,000平方米(二)

18个月或

12个月以内(以先到

),